

SURGILITE

Durable Examination Lights

CEILING MOUNTED MODEL

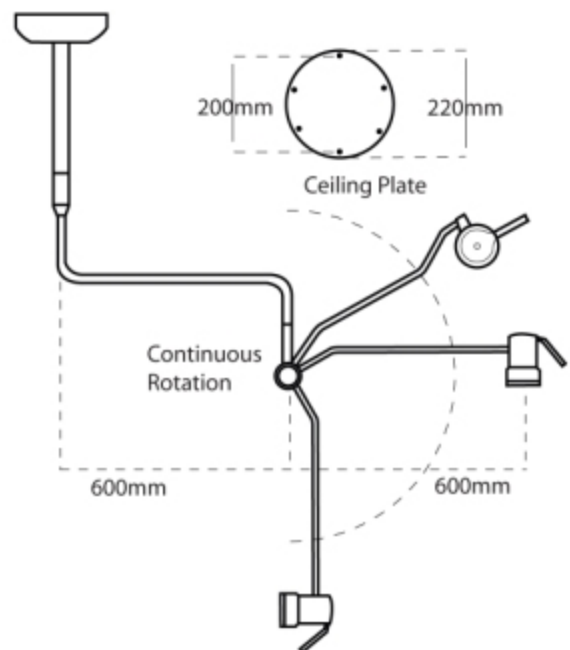


Product Features (all models)

- ▶ TGA registered, ARTG#130080
- ▶ Australian Made.
- ▶ Suitable for installation into Cardiac Protected Electrical Areas.
- ▶ Durable stainless steel construction.
- ▶ Optical heat filter.
- ▶ All glass components enclosed.
- ▶ Scratch and shatter resistant polycarbonate front filter.
- ▶ Continuous rotation at main pivot points to aid positioning of lights.
- ▶ Fully enclosed electrical wiring.
- ▶ On / Off switch located on light head.
- ▶ Large range of vertical movement.
- ▶ All models powered by Safety Extra Low Voltage (SELV) Isolation Transformer.

Technical Specifications (all models)

Light Output at 0.5m (max)	50,000Lux.
Light Output at 1.0m (max)	24,000Lux.
Size of Light Spot at 0.5m	10cm
Size of Light Spot at 1.0m	12cm
Colour Temperature (Kelvin)	3400 K
Total Power Consumption	45VA
Bulb Type	OSRAM 12V 35W 4° P/N 41832 SSP
Transformer Type	SELV
Range of Vertical Movement	120cm
Standard Ceiling Heights (others available on request)	2500, 2700, 3000, 3300mm
Warranty Period	3 Years



Also available in wall and mobile configurations. See over leaf

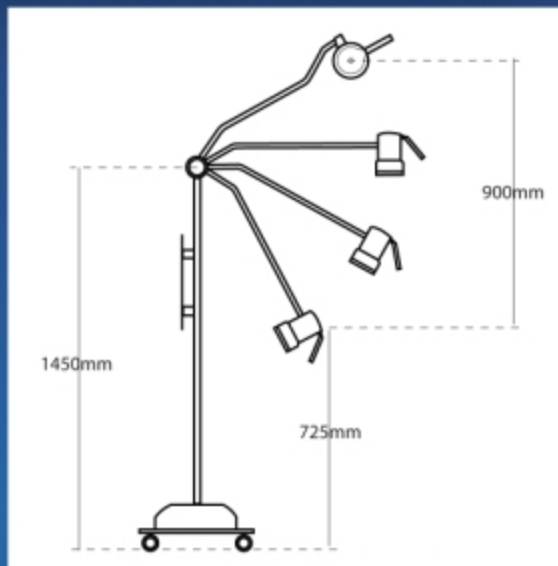
SURGILITE

Durable Examination Lights

MOBILE STAND MODEL



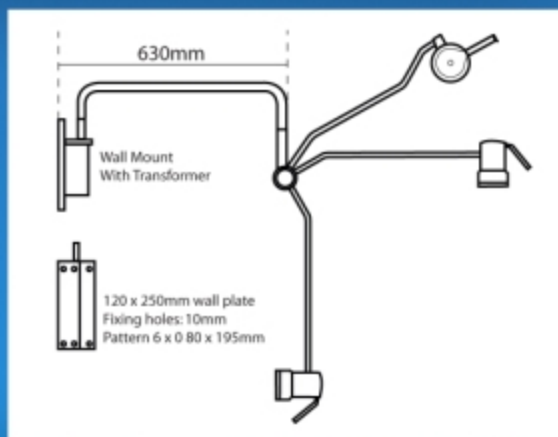
MODEL NO. SLM



WALL MOUNTED MODEL



MODEL NO. SLW



MANUFACTURED BY



H.E. Technical Services
MEDICAL AND SURGICAL LIGHTING SPECIALISTS

Factory 7, 8 Concord Crs
Carrum Downs VIC 3201
Australia

Phone : +61 3 9775 0557
Facsimile: +61 3 9775 0330
E-mail: info@het.com.au
Website: www.het.com.au

Available from

